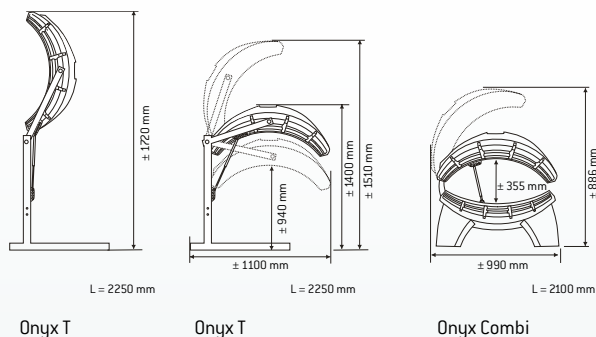


# Hapro

## HOME TANNING



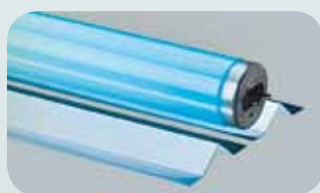
## ONYX

Model	UV tubes	Facial tanner	Power	Digital-Timer	Operating hours	SRS*	Body cooler
Onyx 14 T	14 x 100 W L**	–	1,70 kW	•	•	•	•
Onyx 14/5 T	14 x 100 W L**	5 x 25 W	1,81 kW	•	•	•	•
Onyx 14/1 T	10 x 100 W L** 4 x 80 W	1 x 400 W	1,98 kW	•	•	•	•
Onyx 26 Combi	14 x 100 W L** 12 x 100 W	–	2,82 kW	•	•	•	•
Onyx 26/5 Combi	14 x 100 W L** 12 x 100 W	5 x 25 W	3,19 kW	•	•	•	•
Onyx 26/1 Combi	10 x 100 W L** 4 x 80 W 12 x 100 W	1 x 400 W	3,24 kW	•	•	•	•

T = Double fold-back stand, Combi = Tanning tunnel, SRS\* = Strip Reflector System, • = As standard  
 \*\* = Tubes 1,9 m, standard 100 W tube has a length of 1,78 m



Click strip system for easy cleaning of acrylic panels and tubes



The integrated Strip Reflector System (SRS) optimizes the efficiency of the lamp output